

## Wireline Pressure Setting Assembly

### Description

Wireline Pressure Setting Assembly is designed to set Bridge Plug by force which is generated by powder.

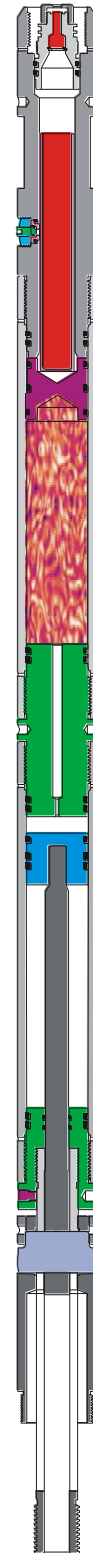
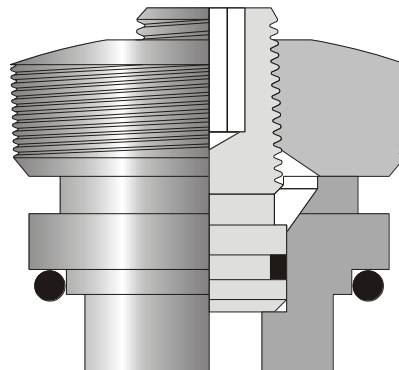
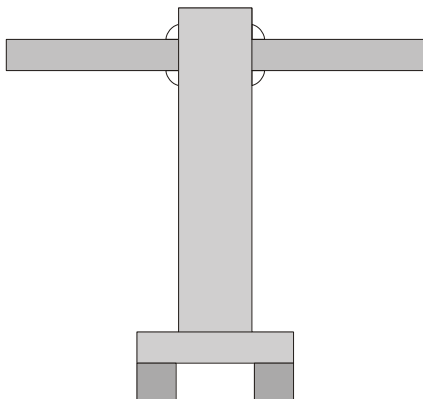
### Benefits / Capabilities

- Powder combust and generate thrust.
- Bleeding off artificially.
- Reliable and safe.

### Specifications

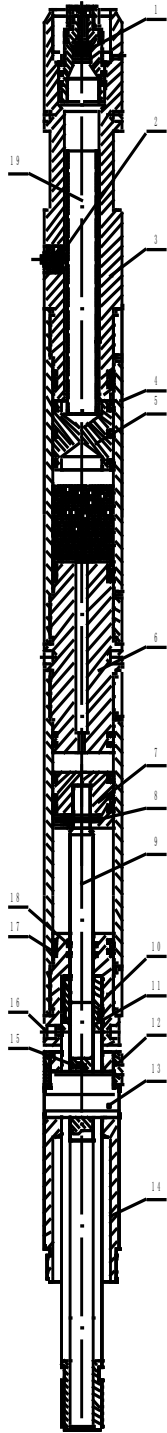
O.D	φ97mm	3.82"
Make-up length	576mm	22.68"
Pressure rating	100MPa	14,500psi
Setting Force	325KN	

Pressure relief valve and tool for assemble and disassemble



## Wireline Pressure Setting Assembly (2)

### Specifications (2)



Item	Description	Qty
1	Firing module	1
2	Pressure relief module	1
3	Case of base load pole	1
4	Cylinder	2
5	Upper piston	1
6	Cylinder connector	1
7	Lower piston	1
8	Screw pin	1
9	Piston rod	1
10	End cap	1
11	Piston rod leading cylinder	1
12	Protect ring	1
13	Platy key	1
14	Upper shoot cylinder	1
15	Screw	1
16	Screw	1
17	O-ring	14
18	O-ring	2
19	Base load pole	1

## Wireline Pressure Setting Assembly Auxiliary

### Description

Wireline pressure setting assembly auxiliary tools include shoot cylinder and crossover coupling to connect the wireline pressure setting assembly and plug.

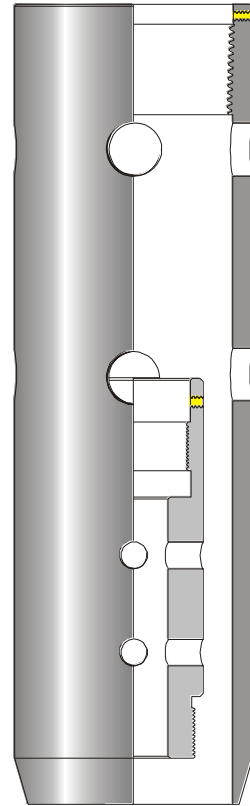
### Benefits/Capabilities

Can change the shoot cylinder and crossover coupling according to practice.

### Specifications

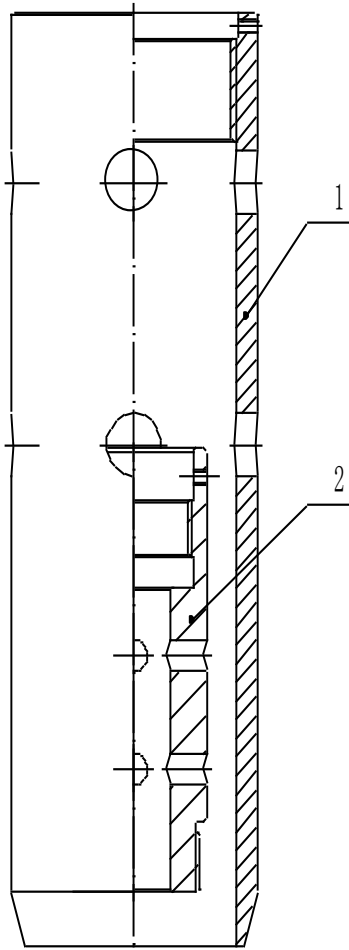
<b>Code</b>		HgMP-36H-9 5/8/0-01	HgMP-36H-9 5/8/0-02
		Shoot cylinder	Crossover coupling
<b>O.D.</b>		φ128mm	φ73.3mm
<b>Conn. thread</b>	<b>Upper end</b>	3 1/2-6Acme	2"-6Acme
	<b>Lower end</b>		2 3/4-10UN
<b>Make-up length</b>		406mm	202mm

<b>Code</b>		HgMP-36H-7/0-01	HgMP-36H-7/0-02
		Shoot cylinder	Crossover coupling
<b>O.D.</b>		φ108mm	φ64mm
<b>Conn. thread</b>	<b>Upper end</b>	3 1/2-6Acme	2"-6Acme
	<b>Lower end</b>		2 1/4-10UF
<b>Make-up length</b>		363mm	172.5mm



## Wireline Pressure Setting Assembly Auxiliary (2)

### Specifications (2)



Item	Description	Qty
1	Shoot cylinder	1
2	Crossover coupling	1

## Size 20 Firing Head

### Description

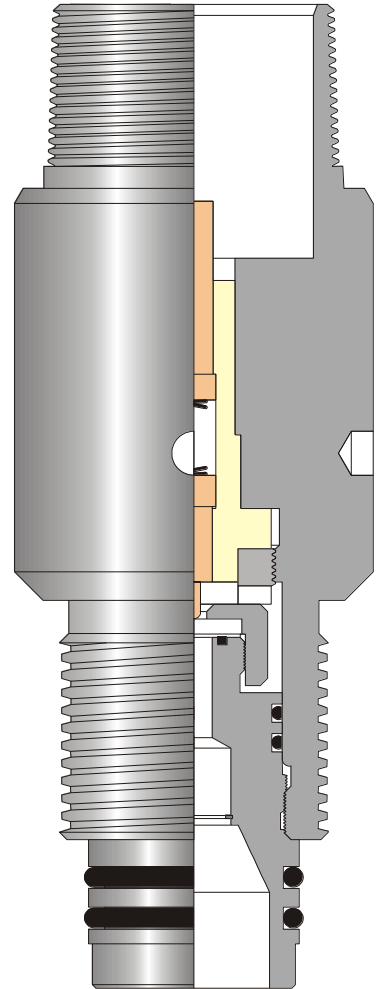
The firing head connected with wireline pressure setting assembly and cable. There is igniter to fire the base load pole in wireline pressure setting assembly.

### Benefits/Capabilities

- Simple structure
- Reliable Capability

### Specifications

<b>Conn. thread</b>	upper end	3 1/4 10teeth/in
	Lower end	2 7/8-6Acme-2G
<b>O.D.</b>	φ97mm	
<b>Temperature rating</b>	160°C/4h	
<b>Pressure rating</b>	105MPa(inner pressure)	
<b>Make-up length</b>	264mm	



## Bridge Plug

### Description

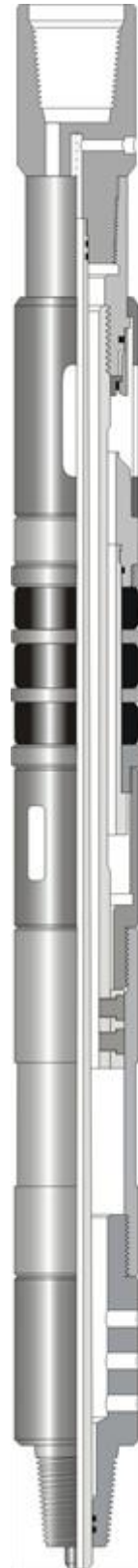
Bridge Plugs are designed to isolate well by the thrust generating by Wireline Pressure Setting Assembly.

### Benefits / Capabilities

- Be constructed of case iron and drillable.
- Upper slip and bottom slip can lock bridge plug in casing.
- Can connect different Bridge Plug and Wireline Pressure Setting Assembly by different connect joint.
- Cement is required after setting.

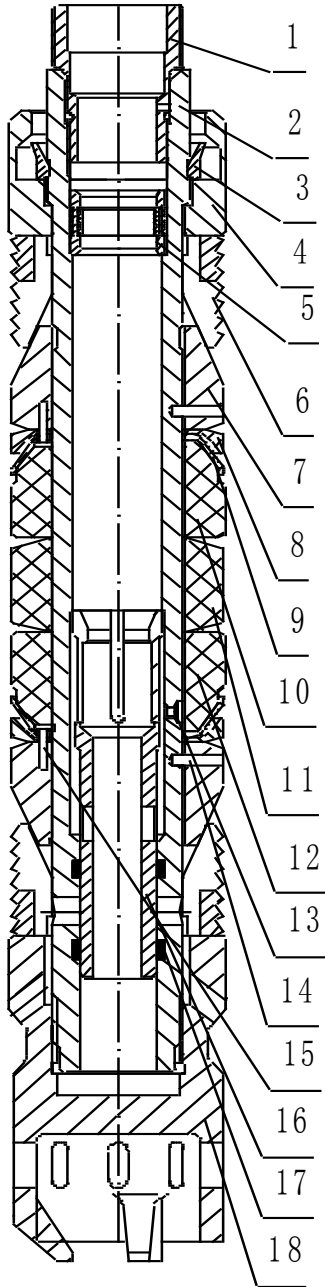
### Specifications

<b>Casing</b>	5"	
<b>O.D.</b>	φ100mm	3.94"
<b>Make-up length</b>	679mm	26.73"
<b>Pressure rating</b>	70MPa	10,150psi
<b>Setting range</b>	105.4~115.8mm	4.15~4.56in



## Bridge Plug (2)

### Specifications (2)



Item	Description	Qty
1	Release ring	1
2	Tension mandrel	1
3	Lock ring	1
4	Release ring house	1
5	Seal sleeve	1
6	Slip	2
7	Subulate sleeve	2
8	Expand sleeve	2
9	Protect Sleeve	2
10	Upper packing element	1
11	Middle packing element	1
12	Bottom packing element	1
13	Screw	1
14	Screw Pin	6
15	Pin	8
16	Slip sleeve	1
17	O-ring	2
18	Maintain body	1

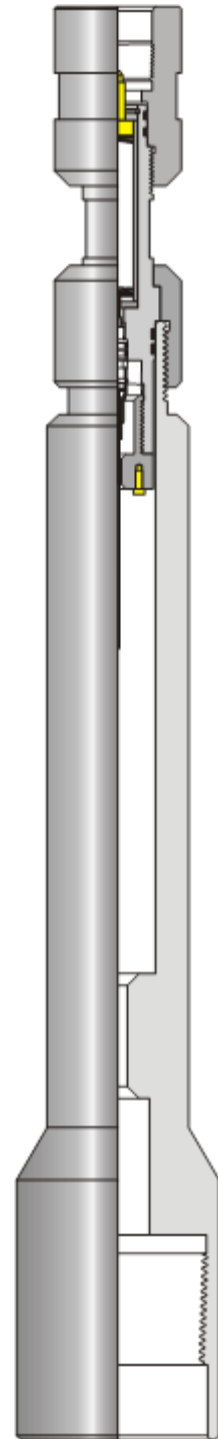
## Detonator Adapter Assembly

### Description

Detonator adapter assembly is used to install electric detonator in WPC. It is composed of adapter module and detonator case.

### Specifications

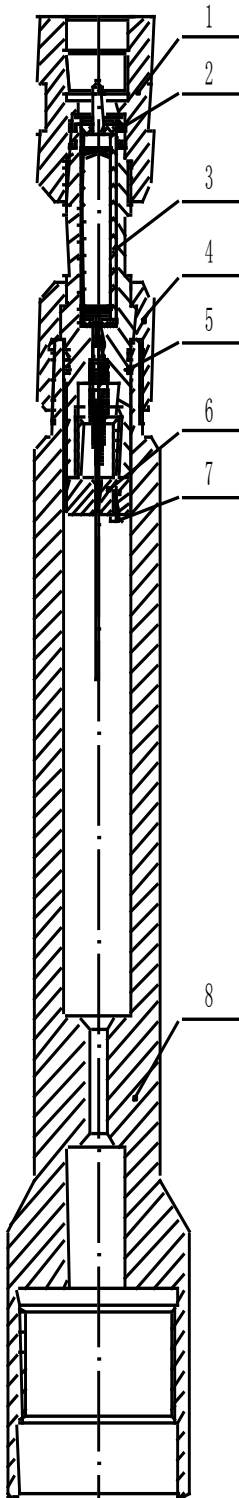
Code	LGT1-1	
Conn. thread	Upper end	1 1/8-12UNF(B)
	Lower end	2 7/8-6Acme(B)
O.D.	φ86mm	3.39"
Make-up length	615mm	24.2"
Pressure rating	70MPa	10,150psi
Max. safe weights	15,300kg	33,743lb





## Detonator Adapter Assembly (2)

### Specifications (2)



Item	Description	Qty
1	Adapter sub	1
2	O-ring	2
3	Flexibility connector	1
4	Screw sleeve	1
5	O- ring	2
6	Protect screw	1
7	Check screw	1
8	Detonator case	1

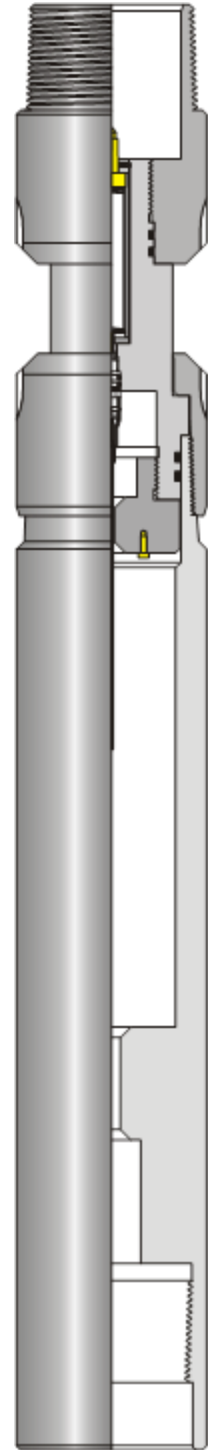
## Detonator Adapter Assembly

### Description

Detonator adapter assembly is used to install electric detonator in WPC. It is composed of adapter module and detonator case.

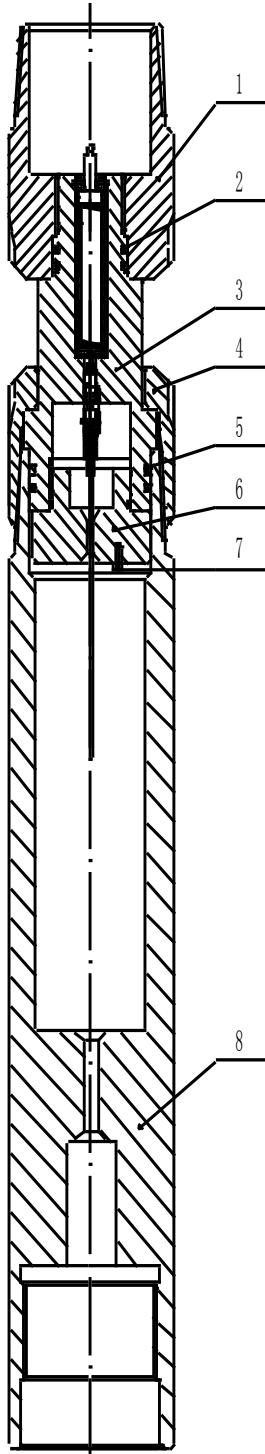
### Specifications

<b>Code</b>	LGT1-2	
<b>Conn. thread</b>	Upper end	3 1/4 10 teeth/inch (P)
	Lower end	2 7/8-6Acme(B)
<b>O.D.</b>	φ89mm	3.5"
<b>Make-up length</b>	684mm	26.93"
<b>Pressure rating</b>	70MPa	10,150psi
<b>Max. safe weights</b>	20410kg	44,991lb



## Detonator Adapter Assembly (2)

### Specifications (2)



Item	Description	Qty
1	Adapter sub	1
2	O-ring	2
3	Flexibility connector	1
4	Screw sleeve	1
5	O-ring	2
6	Protect screw	1
7	Check screw	1
8	Detonator case	1

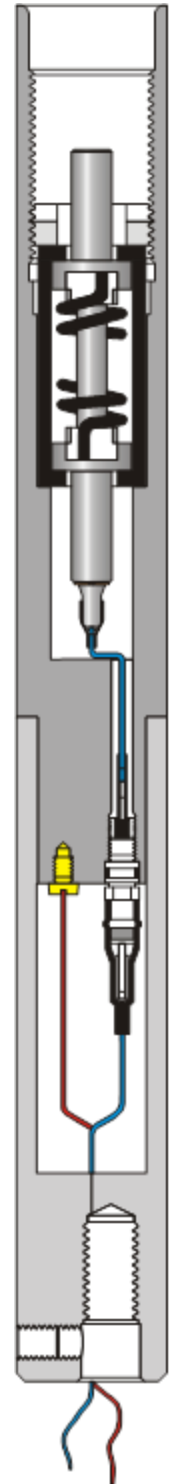
## Shooting Pole Device

### Descriptions

Shooting pole joint is connected with shooting pole in explosive for free.

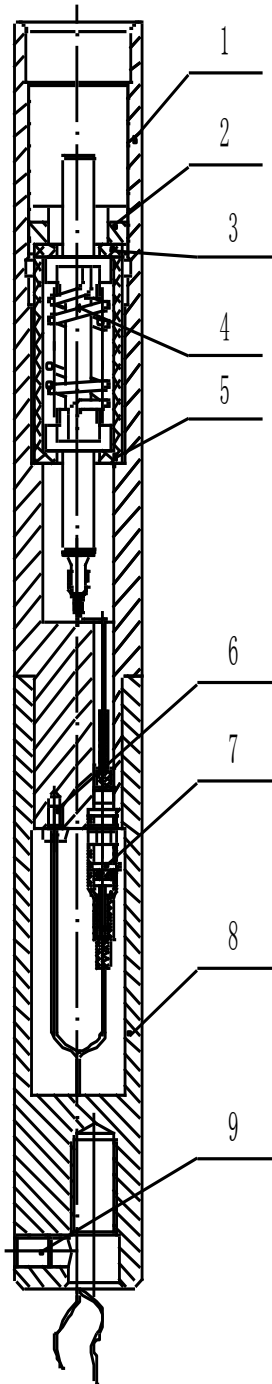
### Specifications

<b>Code</b>	BZJ1-1	
<b>Conn. thread</b>	Upper end	1/2-13UNC-2B
	Lower end	1 1/8-12UNF-2B
<b>O.D.</b>	φ35mm	1.38"
<b>Make-up length</b>	315mm	12.4"
<b>Pressure rating</b>	70MPa	10,150psi
<b>Max. safe weights</b>	2000kg	4,320lb



## Shooting Pole Device (2)

### Specifications (2)



Item	Description	Qty
1	Upper sub	1
2	Plug screw	1
3	Insulating mat	1
4	Contactor module	1
5	Insulating covering	1
6	Screw	1
7	Sealing module	1
8	Bottom sub	1
9	Screw	1